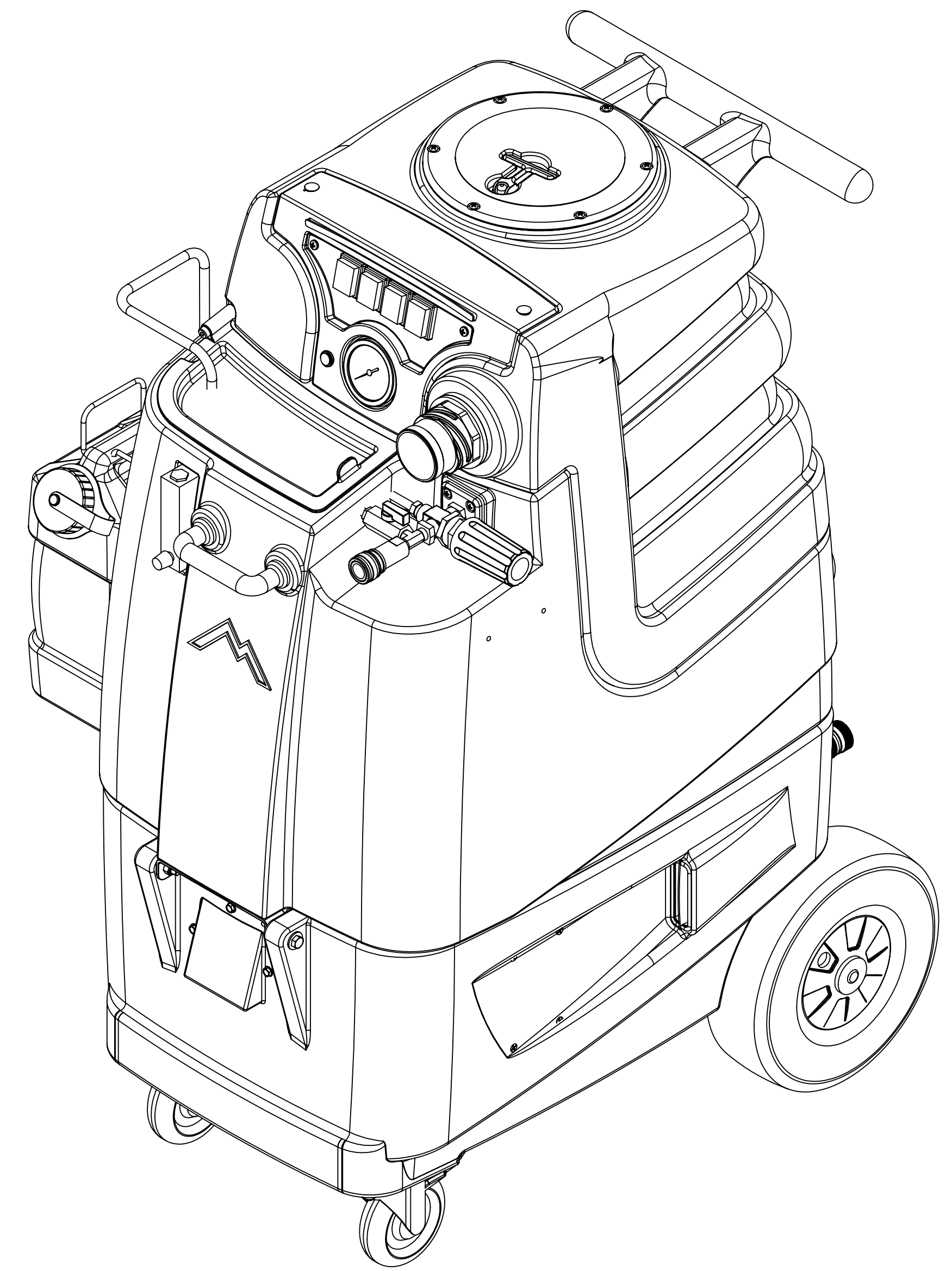


ITEM NO.	PART NO.	DESCRIPTION	QTY.	MSRP
1	H212	flat washer, 9/16"ID x 1 1/16"OD, AN960-C916	4	\$0.99 ea
2	B199	coupler, 1/2" fpt x 1/4" fpt	3	\$8.99 ea
3	B644	adapter, brass, 1/2" barb x 1/4" mpt	2	\$2.49 ea
4	H347	clamp, hose, 5/16-29/32	14	\$1.99 ea
5	PH615-9	sol hose, 1/2", 3045psi, black	1	\$8.99 ft
6	H273	nut, kep, #10-32 zinc	16	\$0.99 ea
7	H210	washer, 1/4" flat, s/s	30	\$0.99 ea
8	H186	screw, 10-32 x 3/4, phil flat full thread	8	\$0.99 ea
9	C381	pump out, 115v	1	\$187.49 ea
10	PH615-37	sol hose, 1/2", 3045psi, black	1	\$8.99 ft
11	H219	cap, axle, 1/2"	2	\$0.99 ea
12	H109	wheel, 10", foam filled	2	\$79.99 ea
13	H232	axle, 19.60" x .50"	1	\$9.99 ea
14	P511	LX series base	1	\$196.99 ea
15	P514	vent, side, LTD	2	\$5.00 ea
16	H668	caster, 4", black hub & gray tread	2	\$19.49 ea
17	H342	bolt, 1/4-20 x 1" hex head, s/s	8	\$0.99 ea
18	H216	nut, lock, 1/4-20, nylon insert, s/s	14	\$0.99 ea
19	C317	fan, cooling, 115V	1	\$21.49 ea
20	H343	screw, 10 x 5/8" hex head, zinc	4	\$0.99 ea
21	E370	controller, water level, dual pump or vac	1	\$94.99 ea
22	H202	bolt, 1/4x20x3/4" hex head	4	\$0.99 ea
23	B246	plug, brass, 3/8" mpt, hex	1	\$1.99 ea
24	PH615-23	sol hose, 1/2", 3045psi, black	1	\$8.99 ft
25	B160	adapter, brass, 1/2" barb x 3/8" fsw, ball end	2	\$3.49 ea
26	B186	elbow, brass, 90 deg, 3/8"mpt x 3/8" fmpt	3	\$8.99 ea
27	B105	bushing, brass, 3/8"mpt x 1/4"	4	\$3.19 ea
28	B260A	qd, brass, 1/4" mqd x fpt	2	\$8.99 ea
29	B259A	qd, brass, 1/4" fqd x mpt	2	\$15.99 ea
30	C313A	pump, CAT, 50-500 PSI, 120/240v	1	\$599.99 ea
31	B652	elbow, brass, 90 deg, 3/8"mpt x 1/4"mpt	1	\$8.49 ea
32	AH184	hose, pulse BLK 49"(OAL), 1/4" fswl x 1/4" fswl	1	\$19.99 ea
33	B107	nipple, brass, 1/4"m, hex	5	\$3.19 ea
34	B113	tee, brass, 1/4" fpt	1	\$6.99 ea
35	B643	adapter, brass, 3/8" fnt x 1/4" mnpt	1	\$4.99 ea
36	PH615-32	sol hose, 1/2", 3045psi, black	1	\$8.99 ft
37	B123	adapter, brass, 1/2" barb x 1/4" fpt	1	\$4.99 ea
38	G068	bumper, 7/8" x 1/4" head	2	\$1.99 ea
39	H486	latch, front breeze	2	\$13.99 ea
40	H230	screw, 10-32 x 1/2" phil pan head, s/s	20	\$0.99 ea
41	H221	nut, lock, 1/2" steel	2	\$1.99 ea
42	H220	fitting, strain relief, cord	2	\$3.19 ea
43	E550	power cord, pigtail, 30', 12/3, black	2	\$11.49 ea
44	E564	controller, circuit light	1	\$62.99 ea
45	E369	hour meter, panel mount, analog	1	\$35.99 ea
46	H039	plate, auto fill/ pump out	1	\$9.99 ea
47	B205B	QD, 1/2" npt x 3/4" mgh, pump-out	2	\$3.99 ea
48	B204	qd, 3/4" female x female garden hose	2	\$9.99 ea
49	B656A	ball valve, 1/2" m x 1/2" f	1	\$16.49 ea
50	H299	washer, 11/16"ID x 1-1/2"OD x .075, s/s	9	\$0.99 ea
51	B303	nipple, 3" x 1/4" npt x 1/4" npt	2	\$8.99 ea
52	B208	coupling, 3/8" fpt x 1/4" fpt	1	\$8.99 ea
53	H541C	chemical injector	1	\$39.99 ea
54	B167	street elbow, 1/2" fpt x 1/2" mpt	1	\$10.99 ea
55	B198	coupler, 3/4" fpt x 1/2" mpt	1	\$16.99 ea
56	H541A	valve, float, autofill	1	\$109.00 ea
57	B109	adapter, brass, 1/4" barb x 1/4" mpt	2	\$1.99 ea
58	B103	elbow, brass, 90 deg, 1/4"mpt x 1/4" fpt	1	\$4.49 ea
59	B216	nipple, brass, 3/8" x close	2	\$1.99 ea
60	B210	bushing, brass, 1/2"mpt x 3/8" fpt, hex	2	\$2.49 ea
61	B119A	filter, strainer, 1/2"	1	\$6.49 ea
62	H213	washer, 1/4" lock, s/s	8	\$0.99 ea
63	H201	bolt, 1/4-20 x 1/2", hex head, zinc	2	\$0.99 ea
64	H378	bracket, front hinge, sp/fb	1	\$8.99 ea
65	H204	bolt, 1/4-20 x 1 3/4" hex head, s/s	2	\$0.99 ea
66	PH634-18	sol hose, 1/4", silicone braided, clear	1	\$6.49 ea
67	B131	fitting, 1/4" barb x 1/8" FPT	2	\$2.99 ea
68	B143	street elbow, 90 degrees, 1/8"	2	\$2.99 ea
69	B129	nipple, hex, 1/8" mpt x 1/8" mpt	2	\$1.99 ea
70	H325	flow meter, electric truckmount	1	\$189.99 ea
71	G069	gasket, flow meter	1	\$0.99 ea
72	H246	screw, 8-32 x 3/8" SHCS, alloy, Black	2	\$0.99 ea
73	H547	hanger, wire for injection sprayer	1	\$7.49 ea
74	G036	cap, 2.5" threaded, tethered	2	\$3.49 ea
75	P534	bottle, 7 quart, w/ caps	1	\$17.99 ea
76	B117	strainer, with check, chemical injector	1	\$18.99 ea
77	H846B	cap, gallon jug, 1-5/8"	1	\$0.99 ea
78	PH634-26	sol hose, 1/4", silicone braided, clear	1	\$6.49 ea
79	H485	handle, breeze and dx	1	\$6.99 ea
80	H768	bolt, 1/4-20 x 3/4" serrated hex flange, zinc	2	\$0.99 ea

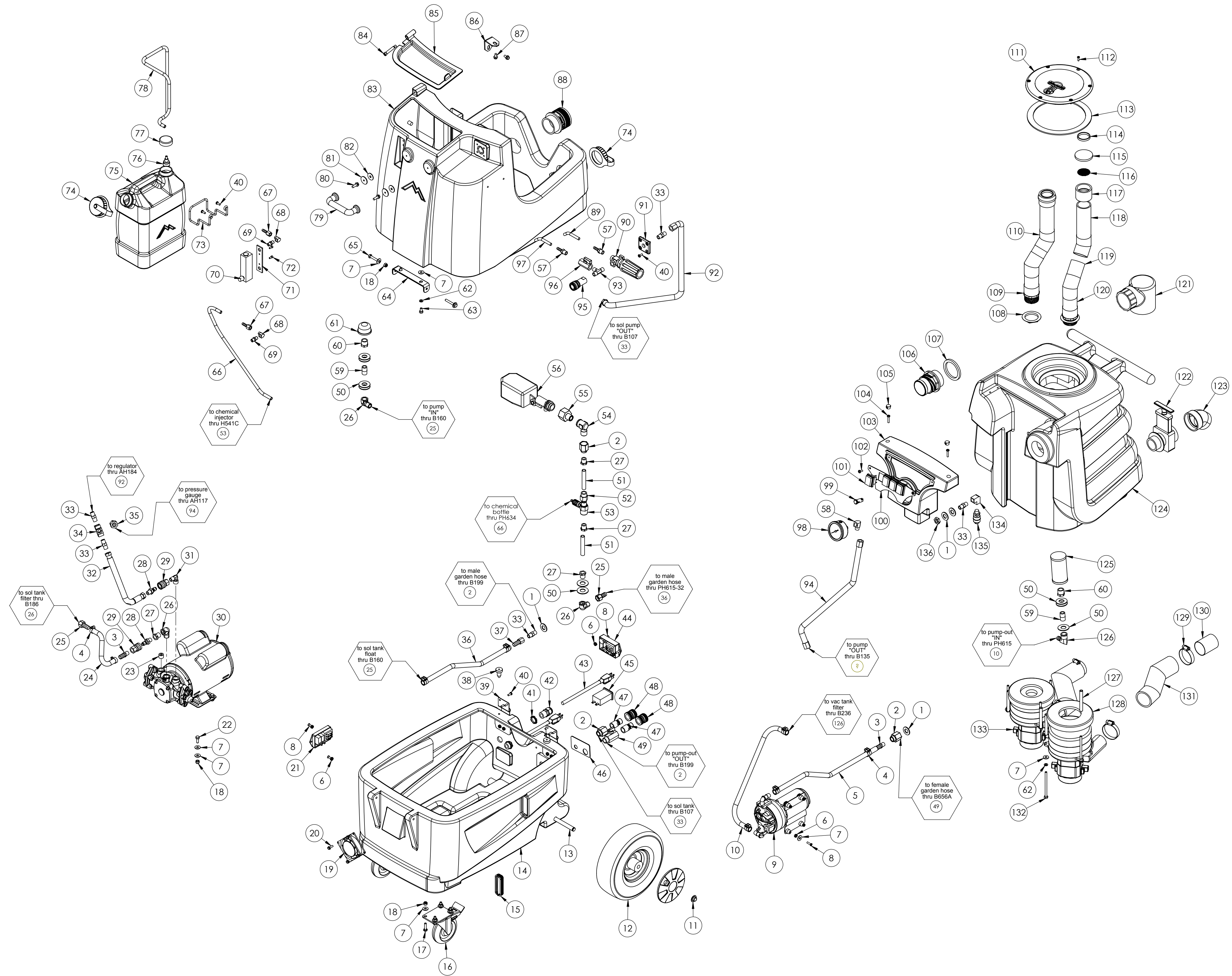
ITEM NO.	PART NO.	DESCRIPTION	QTY.	MSRP
81	G052	washer, buna 1-1/8" od x 3/16" id	2	\$1.99 ea
82	H211	washer, 1/4" id x 1" od, flat, s/s	2	\$0.99 ea
83	P509	LX series sol tank	1	\$141.95 ea
84	H650	bolt, 5/16" shoulder x 1-1/2" lg, alloy	1	\$0.99 ea
85	P513	solution tank lid, LTD	1	\$9.00 ea
86	H390A	bracket, "L"	2	\$6.99 ea
87	H770	bolt, 1/4-20 x 1/2" serrated hex flange, zinc	4	\$0.99 ea
88	H124	Cuff-Lynx, 2" mpt x 2" female cuff	2	\$3.99 ea
89	PH634-20	sol hose, 1/4", 300 PSI	1	\$6.49 ft
90	C313C	regulator, 450 psi, silver spring	1	\$86.99 ea
91	H484	plate, mounting, QD	1	\$4.99 ea
92	AH117	hose, pulse, black, 1/4" fswl x 1/4" fswl, 40" (OAL)	1	\$19.99 ea
93	B135	tee, brass, 1/4" mpt	1	\$5.49 ea
94	AH117	hose, pulse, black, 1/4" fswl x 1/4" fswl, 48" (OAL)	1	\$19.99 ea
95	B102	qd, brass, 1/4" f	1	\$17.99 ea
96	B656	ball valve, 1/4"	1	\$13.49 ea
97	PH634-36	sol hose, 1/4", 300 PSI	1	\$6.49 ft
98	H308D	gauge, pressure, 2000 PSI	1	\$38.99 ea
99	E512B	light, indicator, 125v (amber)	1	\$9.99 ea
100	H074	plate, switch, ltd5, ltd12	1	\$6.00 ea
101	E515	switch, rocker, 2 position	4	\$13.99 ea
102	H029	plastite screw, 10 x 1/2"	2	\$0.99 ea
103	P512	LX series switchbox	1	\$24.00 ea
104	H031	plastite screw, 10 x 1"	2	\$0.99 ea
105	H434	plug, vent, heyco, 1/2"	2	\$4.48 ea
106	H135	Cuff-Lynx, 2" m cuff x 2" mpt	1	\$3.99 ea
107	G083	gasket, 2" inlet	1	\$2.49 ea
108	H314	nut, lock, 1-1/2", steel	2	\$1.99 ea
109	P520	adapter, pvc, 1-1/2" mpt x 1-1/2" fms	2	\$2.99 ea
110	P503	adapter, 1.5" pvc, 45 deg, fsliip x fsliip	4	\$3.29 ea
111	G090	lid, vac tank, clear, 7"	1	\$36.99 ea
112	H304	screw, #8 x 5/8 phil oval, s/s	6	\$0.99 ea
113	G091	gasket, 7", vac lid	1	\$11.99 ea
114	PH633-1	pipe, pvc, 1-1/2"	2	\$4.99 ft
115	G022	filter, foam, 2-3/8" x 1"	2	\$2.99 ea
116	G097	screen, mesh filter, 1-1/2" dia	2	\$4.99 ea
117	P502	adapter, 1.5" pvc, fsliip x fsliip	2	\$5.00 ea
118	PH633-06	PIPE, 1-1/2" x 6" PVC	2	\$4.99 ft
119	PH633-03	pipe, pvc, 1-1/2"	2	\$4.99/ft
120	PH633-4	pipe, pvc, 1-1/2"	2	\$4.99/ft
121	A926	elbow, inlet assembly 2"	1	\$15.99 ea
122	H225	valve, drain, 1-1/2"	1	\$20.99 ea
123	H226	spout, drain, 45 degree	1	\$3.19 ea
124	P510	LX series vac tank	1	\$99.99 ea
125	H333	mesh filter, auto dump, 1/2" npt	1	\$12.99 ea
126	B236	elbow, brass, 90 deg, 1/2" barb x 3/8" fpt	1	\$14.49 ea
127	H503	vac support, 3 stage, 3.25", no thdrs	6	\$3.99 ea
128	G004	gasket, vac motor - Speedster	2	\$8.99 ea
129	H217	clamp, hose, 2-1/4 dia	4	\$1.49 ea
130	H194	coupler, 2" dia x 2.5" length, s/s	2	\$10.00 ea
131	PH628-7	vac hose, 2", black, wire reinforced	2	\$8.99 ft
132	H096	bolt 1/4-20 x 4, s/s	6	\$0.99 ea
133	C302A	vac motor, 3-stage hp, 120V, 145"	2	\$148.99 ea
134	B207	elbow, brass, 90 deg, 1/4" fpt x 1/4" fpt	1	\$5.99 ea
135	E373	level switch, vacuum shut-off, rear threads	1	\$13.99 ea
136	B156	nut, 1/4" npt	1	\$1.99 ea

ITEMS NOT SHOWN

PART NO.	DESCRIPTION	QTY	MSRP
E352	LED strip light, with lead wires	1	\$26.99 ea
E530	power cord, ext 50', 12/3, black	2	\$74.99 ea
G008	piglet filter	1	\$6.29 ea
G076	filter bag, 3.5" metal o-ring, mesh bag	1	\$4.99 ea
H110	Cuff-Lynx, 2: hose x 2" fem swivel	1	\$3.99 ea
H140	Cuff-Lynx, female swivel x female thread	1	\$3.99 ea
H141	Cuff-Lynx, 2: x 1.5" reducer	1	\$3.99 ea
H230	screw, 10-32 x 1/2" phil pan head, s/s	2	\$0.99 ea
H375	hanger, wire formed, hose	1	\$10.99 ea
AD127	stop sign, register your product	1	\$2.00 ea
ADM Cuff Lynx	Cuff-Lynx instruction guide	1	n/a

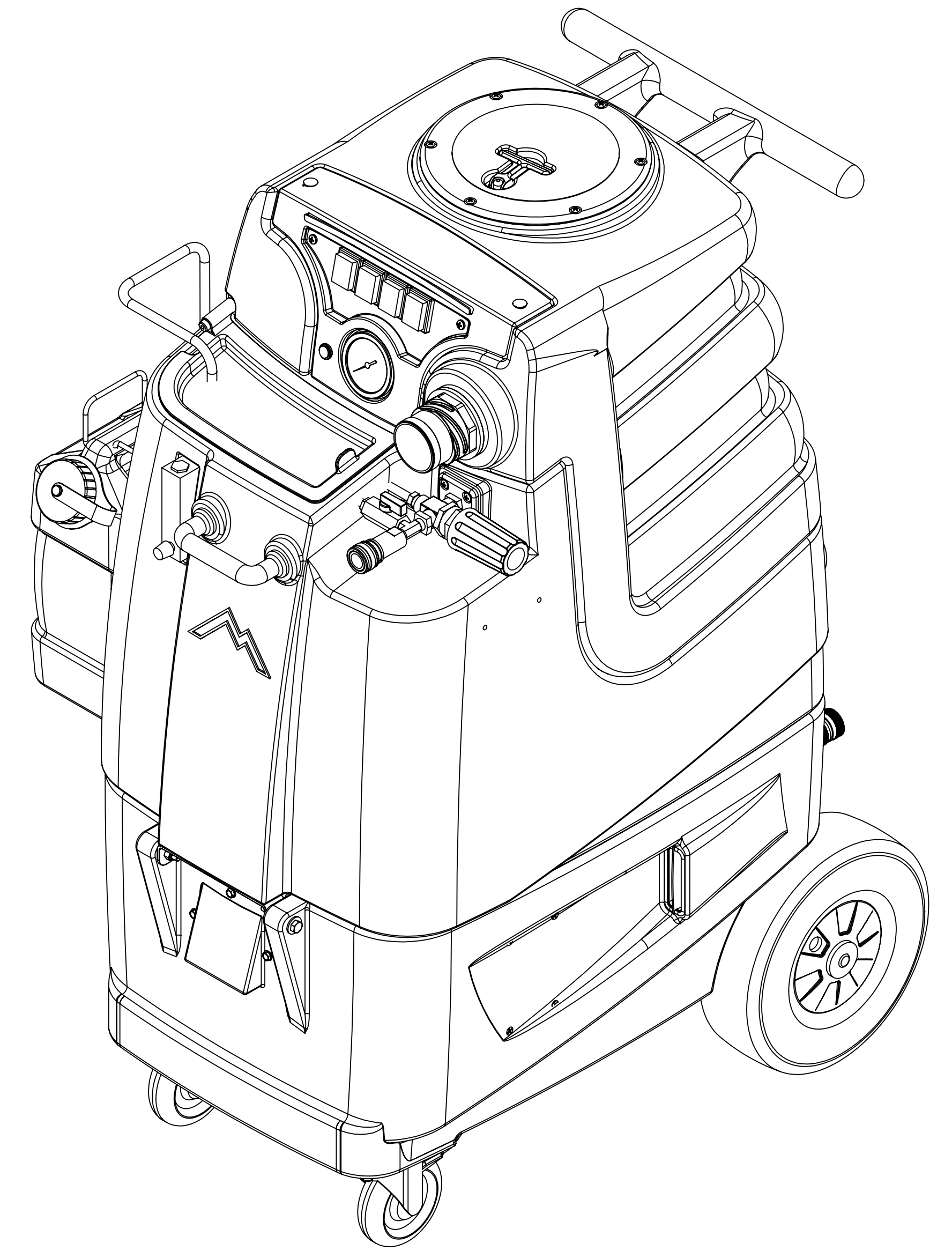


DRAWN	M.LoBarbera	DATE	11/2013	MYTEE PRODUCTS, INC.
CHECKED		TITLE		
COMMENTS:				speedster SIZE DWG. NO. LTD 5 REV G SCALE: 1:12 WEIGHT: SHEET 1 OF 3
<small>PROPRIETARY AND CONFIDENTIAL THE INFORMATION CONTAINED IN THIS DRAWING IS THE SOLE PROPERTY OF MYTEE PRODUCTS, INC. ANY REPRODUCTION IN PART OR AS A WHOLE WITHOUT THE WRITTEN PERMISSION OF MYTEE PRODUCTS, INC. IS PROHIBITED.</small>				



NAME	DATE	MYTEE PRODUCTS, INC.
DRAWN M.LaBarbera	11/2013	TITLE: speedster
CHECKED		SIZE DWG. NO. LTD 5
COMMENTS:		REV G
<small>THE INFORMATION CONTAINED IN THIS DRAWING IS THE SOLE PROPERTY OF MYTEE PRODUCTS, INC. ANY REPRODUCTION IN PART OR AS A WHOLE WITHOUT THE WRITTEN PERMISSION OF MYTEE PRODUCTS, INC. IS PROHIBITED.</small>		SCALE: 1:24 WEIGHT: SHEET 2 OF 3

REVISIONS			
REV.	DESCRIPTION	DATE	APPROVED
OD	ORIGINAL DRAFT	-	JFL
A	-	-	JFL
B	-	-	JFL
C	REPLACED VAC STACK	6/2013	JFL
D	REPLACED G003 W G022	8/2013	JFL
E	REPLACED H033 W H342, ADDED H210 & H216	10/8/2013	JFL
F	G021 REPLACED W G097	10/28/2013	JFL
G	CAT pump	11/8/2013	JFL



DRAWN	M.LaBarbera	DATE	11/2013	MYTEE PRODUCTS, INC.	
CHECKED				TITLE:	
COMMENTS:				speedster	
<small> PROPRIETARY AND CONFIDENTIAL THE INFORMATION CONTAINED IN THIS DRAWING IS THE SOLE PROPERTY OF <INSERT COMPANY NAME HERE>. ANY REPRODUCTION IN PART OR AS A WHOLE WITHOUT THE WRITTEN PERMISSION OF <INSERT COMPANY NAME HERE> IS PROHIBITED. </small>				SIZE	REV
				D	G
				LTD 5	
				SCALE: 1:12 WEIGHT:	SHEET 3 OF 3